

The HV Series

# WORKS

BEST

UNDER

# PRESSURE



HV NG/LP  
1500

## Best Engineered

### *VERSATILITY*

The HV gas-fired pressure washers provide high performance with modular design. Available in either NG or LP configurations to allow you to accommodate your individual needs. These products are ideal for industrial and commercial cleaning applications.

### *SERVICEABILITY*

Hanson's top-quality, durable construction provides years of reliability. Designed with the user in mind, Hanson's modular technology supports low operational costs through easy, efficient and effective service and upgrade paths. HANSON products are designed and built for performance, dependability and low total cost of ownership.

### *VALUE*

With Hanson, you get more than just top-of-the-line products with the features and conveniences you want. You also get unmatched customer service and support from a company dedicated to innovative engineering and customer satisfaction.



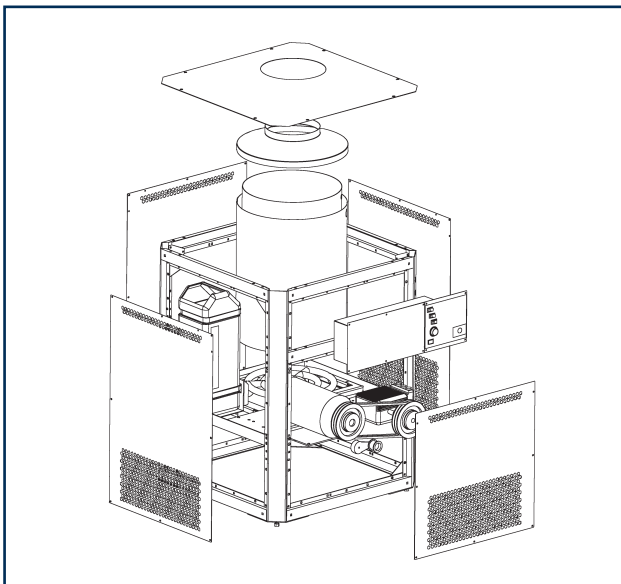
**Hanson**  
Industrial - Peoria, Inc.

POLYETHYLENE FLOAT  
TANK WITH DUAL FLOATS

BALDOR® MOTORS

REMOVABLE STAINLESS  
STEEL CLOSEOUT PANELS

GAS VALVE MOUNTED  
ABOVE BURNER ASSEMBLY  
NG, LP ONLY



CONTROL BOX WITH  
EASY ACCESS PANEL

MODULAR DESIGN

BELT DRIVE TRIPLEX  
PLUNGER PUMP

SELF-ADJUSTING  
BELT TENSIONER

## SPECIFICATIONS

	1500 SERIES	1500 SERIES	2000 SERIES
<b>MOTOR HP</b>	15.0 HP	15.0 HP	20.0 HP
<b>VOLTAGE/CYCLE/PHASE</b>	208-230/60/3 460/60/3	208-230/60/3 460/60/3	208-230/60/3 460/60/3
<b>WATER PUMP VOLUME</b>	8 GPM/30.3 LPM	10 GPM/37.9 LPM	10 GPM/37.9 LPM
<b>OPERATING PRESSURE</b>	3000 PSI/206.8 BARS	2,000 PSI/137.9 BARS	3,000 PSI/206.8 BARS
<b>BTU<sup>s</sup> PER HOUR</b>			
NATURAL GAS	800,000	800,000	800,000
LIQUID PROPANE			
<b>DIMENSIONS:</b>	42.0"L, 42.0"W, 53.0"H	42.0"L, 42.0"W, 53.0"H	42.0"L, 42.0"W, 53.0"H
<b>GROSS SHIPPING WEIGHT:</b>	1160 LBS	1160 LBS	1220 LBS

## STANDARD FEATURES

- BELT DRIVE TRIPLEX PLUNGER PUMP
- NG/LP FIRED BURNER  
AGA LISTED CONTROLS -LP VAPOR ONLY
- NATURAL GAS OR LP CONFIGURATIONS STANDARD
- UPSTREAM CHEMICAL INJECTION WITH METERING VALVE
- STAINLESS STEEL CLOSEOUT PANELS
- STEEL CHASSIS WITH POWDER COAT PAINT
- POLYETHYLENE FLOAT TANK,  
LOW TURBULANCE DUAL FLOAT
- TRIGGER GUN CONTROL  
WAND ASSEMBLY WITH COOL GRIPS
- NOZZLES (0°,15°,25°,40°)
- 50' HOSE — 1/2" ID  
INSULATED WIRE BRAID HOSE  
WITH SWIVEL CONNECTOR
- COIL: SCHEDULE 80
- ADJUSTABLE THERMOSTAT
- SELF-ADJUSTING BELT TENSIONER

## UPGRADE PACKAGE (INCLUDES THE FOLLOWING)

- AUTOSTART AND TIME DELAY SHUT DOWN
- MAGNETIC STARTER
- HOUR METER
- ELECTRONIC PILOT IGNITION
- DRAFT DIVERTER
- REMOTE READY

We continue to evolve and enhance our product offerings and therefore pictures, features and specifications reflected on this brochure may vary slightly from current product. These may also vary slightly based on component and manufacturing tolerances. See authorized distributors for manufacturer installed options.

*Hanson develops  
pressure washers with  
one thing in mind — you.  
The result is a series of  
products incorporating  
leading technologies,  
highest-quality  
components and  
unparalleled construction.  
These products are  
engineered for  
reliability, performance  
and value.*



611 MCKINLEY AVE.  
BARTONVILLE, IL 61607  
PHONE: 888-345-0903  
EMAIL: BK@HANSONINDUSTRIALPEORIA.COM